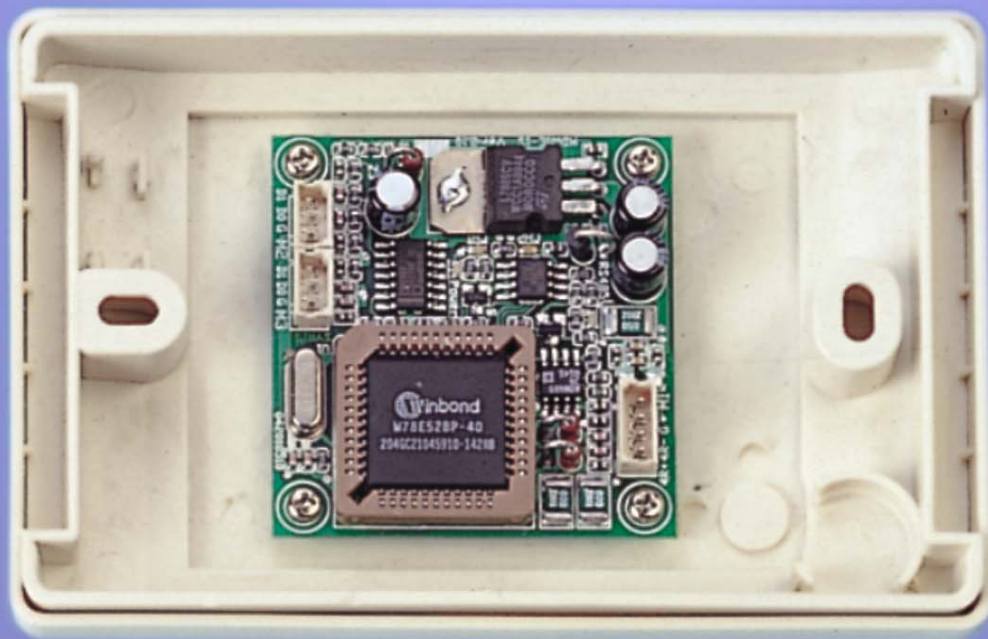


Install and Operation Instructions MDWIE Module

2 Channel Wiegand
support 4/26/34/35/37/42/50 bits
Reader & Keypad Reader



SYRIS Technology Corp.

SYRIS EUROPE NV

Boulevard Louis Schmidt 119/3

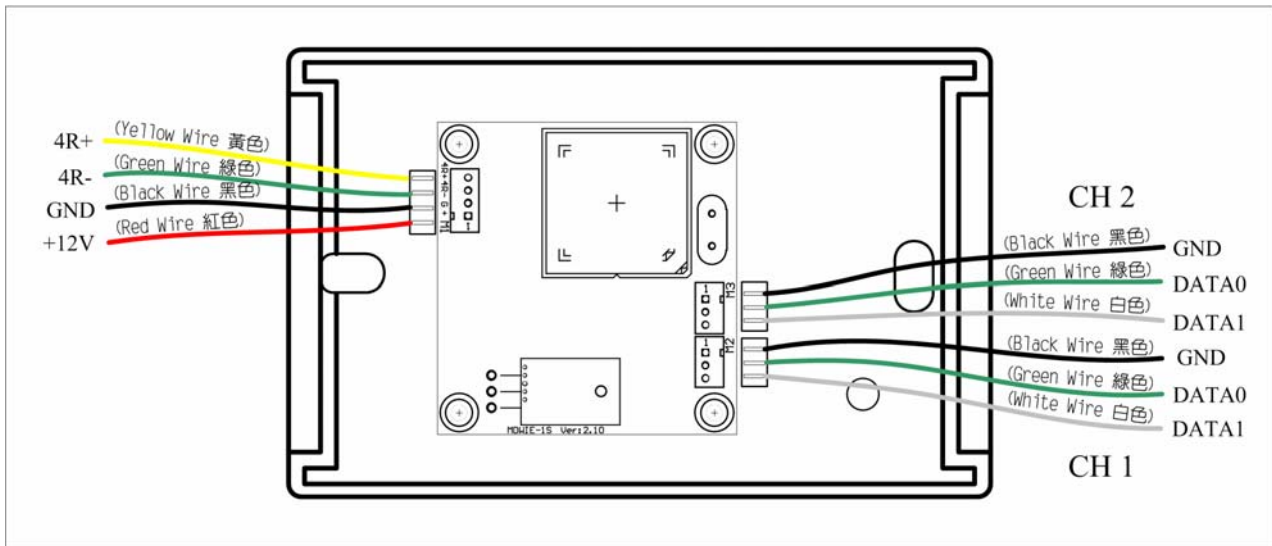
2004 Brussels

TEL : +32 2743 7139

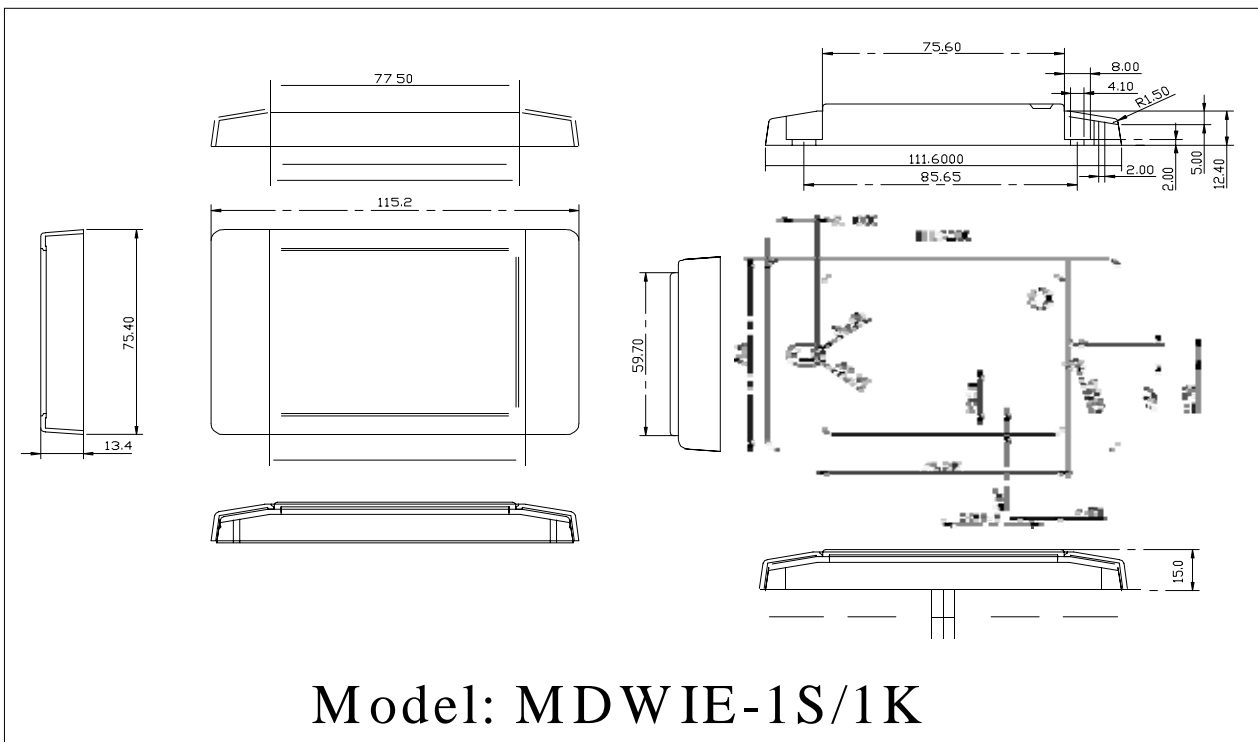
FAX : +32 3411 0856

E-Mail : info@syris.net

Website : <http://www.syris.net>



- * Power supply should be regulated linear power supply.
- * The shield must run continuous throughout the installation.



Model: MDWIE-1S/1K

MDWIE Specification

Items / Specs	MDWIE-1S	MDWIE-1K
Interface	RS485 format (SYRDS)	RS485 format (SYRDK)
Baud rate	19,200 bps (4,800、9,600、19,200、38,400、57,600、115,200)	
ID	1 – 8 or 01 - 99	
Input	Wiegand™ 26/34/35/37/42/50 bits Reader	Wiegand™ 4/26/34/35/37/42/50 bits Reader & Keypad Reader
Channel	2 channel	
Indicator	4 LED	
Buffer	30 record per channel	
Color	Beige	
Operating temperature	-20°C to 70°C	
Storage temperature	-30°C to 80°C	
Power supply input	8V to 15V DC	
Dimensions (mm)	75W x 115H x 15D	

* This specification is preliminary and is subject to change without prior notice.