

# Install and Operation Instructions MDPRINT-1S Module

RS-485 to Parallel Port Converter  
Baud rate 4,800-115,200 bps



## **SYRIS Technology Corp.**

SYRIS EUROPE S.A.

119/3 Boulevard Louis Schmidt

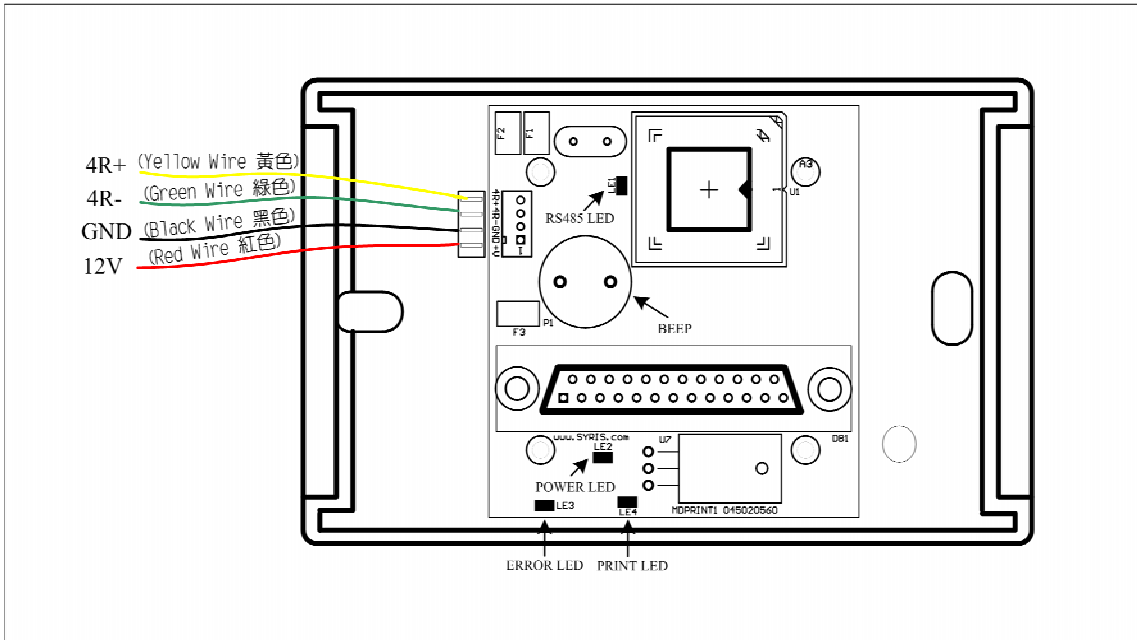
1040 Brussels - Belgium

TEL : +32 2743 7193

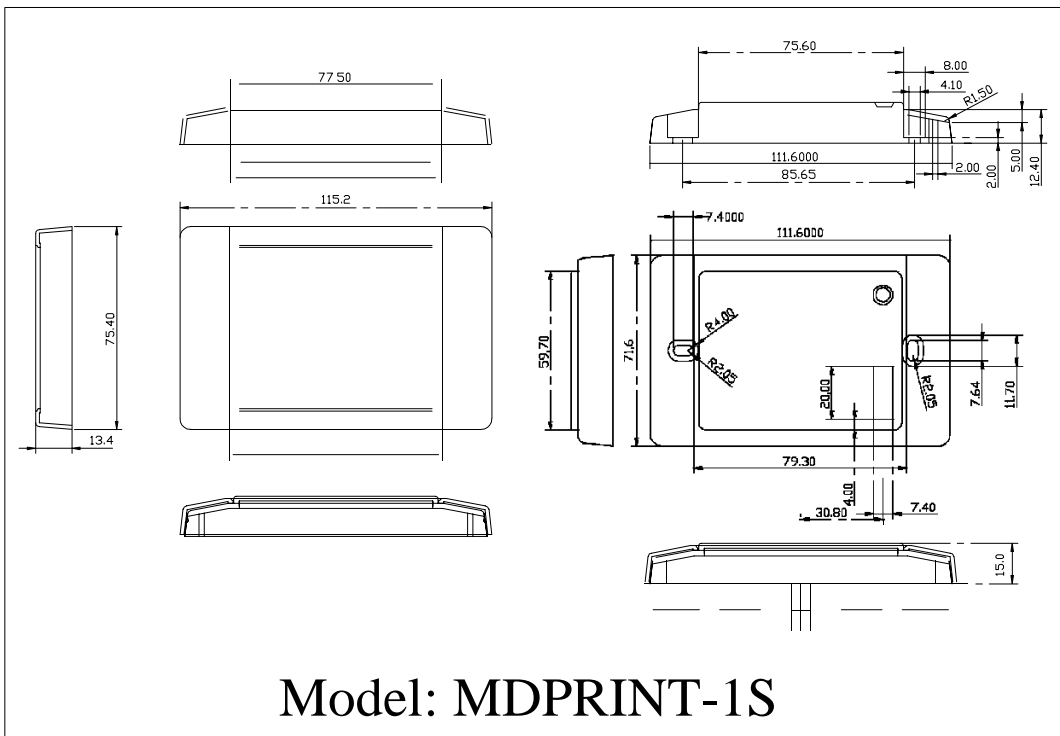
FAX : +32 2733 1325

E-Mail : [service@syris.net](mailto:service@syris.net)

Website : <http://www.syris.net>



- \* Power supply should be regulated linear power supply.
- \* The shield must run continuous throughout the installation.



## MDPRINT-1S Specification

Items / Specs	MDPRINT-1S
Interface	RS485 formats
Baud rate	19,200 bps (4,800、9,600、19,200、38,400、57,600、115,200)
ID	1 to 99
Parallel Port	Print IEEE-1284 compliant
Indicator	4 LED
Beep	built-in
Color	Beige
Humidity	10% to 95 % (Non-condensing)
Operating temperature	-20°C to 70°C
Storage temperature	-30°C to 80°C
Power supply input	8V to 15V DC
Power consumption	0.5W to 2W
Dimensions (mm)	75W x 115H x 15D

\* This specification is preliminary and is subject to change without prior notice.